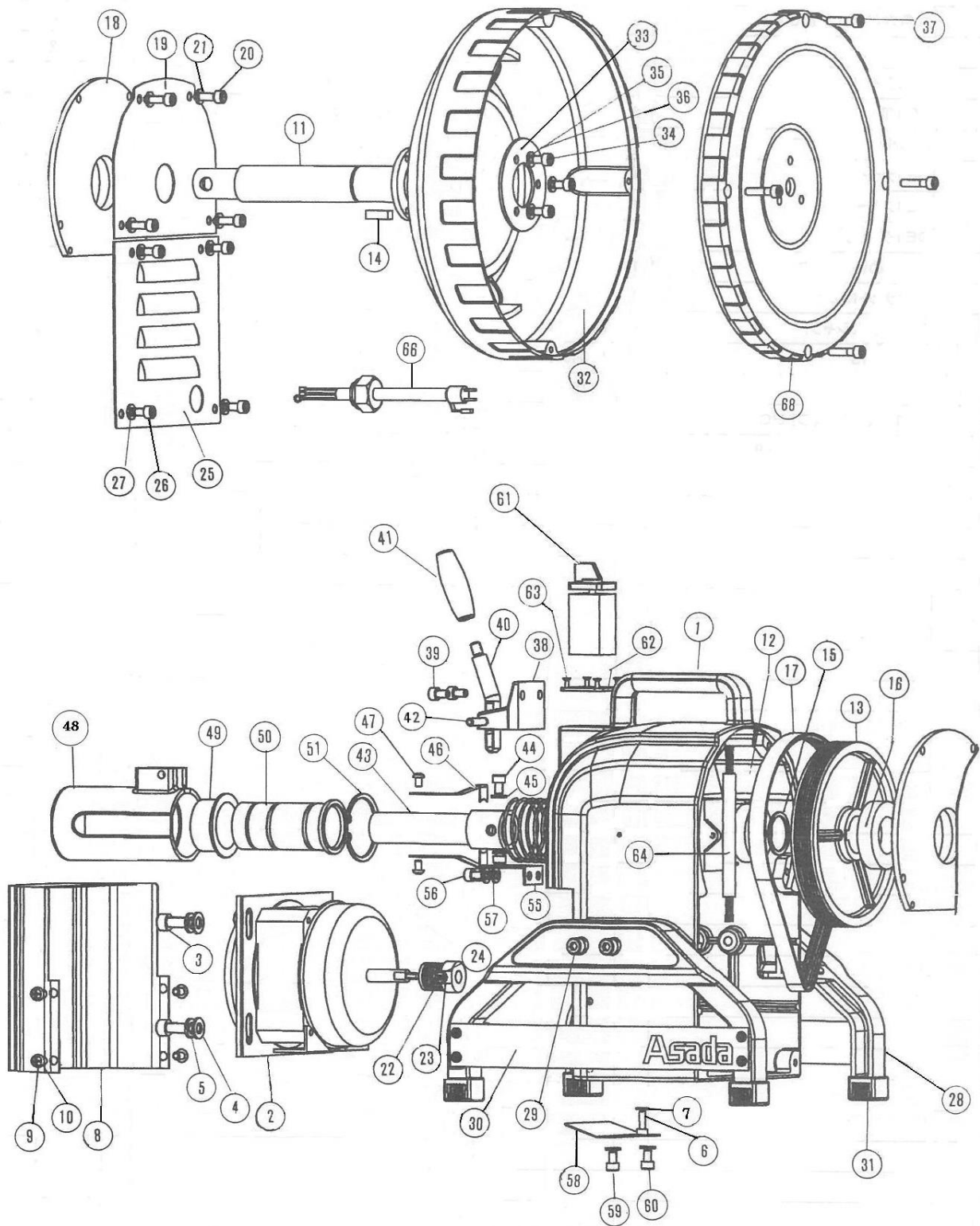


# DRAIN CLEANER E-150



# DRAIN CLEANER E-150



Ref. No.	Code No.	Parts Name	Qty	Remark
1	DE211	DE2 FRAME	1	
2	DE263	DE2 MOTOR 220V	1	
2	DE264	DE2 MOTOR 230V	1	
3	80177	STOP BOLT 8x20	4	
4	81147	WASHER 8	4	
5	81114	SPRING WASHER 8	4	
6	80166	STOP BOLT 6x20	1	
7	81118	SPRING WASHER M6	1	
8	DE214	DE2 MOTOR COVER	1	
9	82201	PAN-HEAD SCREW 6x10	4	
10	81118	SPRING WASHER M6 (CHROM)	4	
11	DE215	DE2 SPINDLE	1	
12	84156	BALL BEARING 6005ZZ	1	
13	DE216	DE2 PULLEY	1	
14	DE240	KEY 8x7x20	1	
15	83309	C SNAP RING S-30	1	
16	<del>84400</del>	<del>BALL BEARING 6006ZZ</del>	4	Discontinued
17	DE217	URETHANE BOOSTER BELT	1	
18	DE218	DE2 HOUSING	1	
19	DE219	DE2 FRAME LID	1	
20	80166	STOP BOLT 6x20	4	
21	81118	SPRING WASHER M6 (CHROM)	4	
22	DE220	DE2 PINION	1	
23	80357	HEX SCREW M5x15	1	
24	81055	U-NUT 5	1	
25	DE221	DE2 MOTOR LID	1	
26	80161	STOP BOLT	4	
27	81118	SPRING WASHER M6 (CHROM)	4	
28	DE222	DE2 LEG	2	
29	80178	STOP BOLT M8x25L	4	
30	DE223	DE2 PLATE	2	
31	DH222	DH2 CAP FOR LEGS	4	
32	DH211	DH2 DRUM F	1	
33	DE224	DE2 DRUM PLATE	1	
34	80615	STOP BOLT M6 × 15 SUS	3	
35	81155	PLAIN WASHER	3	
36	81118	SPRING WASHER M6 (CHROM)	3	
37	80340	STOP BOLT M6 × 25 SUS	4	
38	DE225	DE2 ARM	1	
39	80161	STOP BOLT M6 × 10	2	
40	DE226	DE2 CHUCK BAR	1	
41	70660	GRIP KW-8	1	
42	83039	PIN 6x25	1	
43	DE227	DE2 CHUCK SHAFT	1	
44	80161	STOP BOLT M6 × 10	2	
45	81118	SPRING WASHER M6 (CHROM)	2	
46	DE125	DE1 JAW	2	
47	82971	PAN HEAD SCREW M5 × 5 SUS	2	
48	DE228	DE2 COLLAR	1	
49	84366	BEARING 80F-3820	1	
50	DE123	DE1 SLEEVE	1	
51	83507	C SNAP RING H-52	1	
55	DE233	CHUCK PLATE	1	
56	80161	STOP BOLT M6 × 10	2	
57	81118	SPRING WASHER M6 (CHROM)	2	
58	DE234	DE2 MOTOR PLATE	1	

