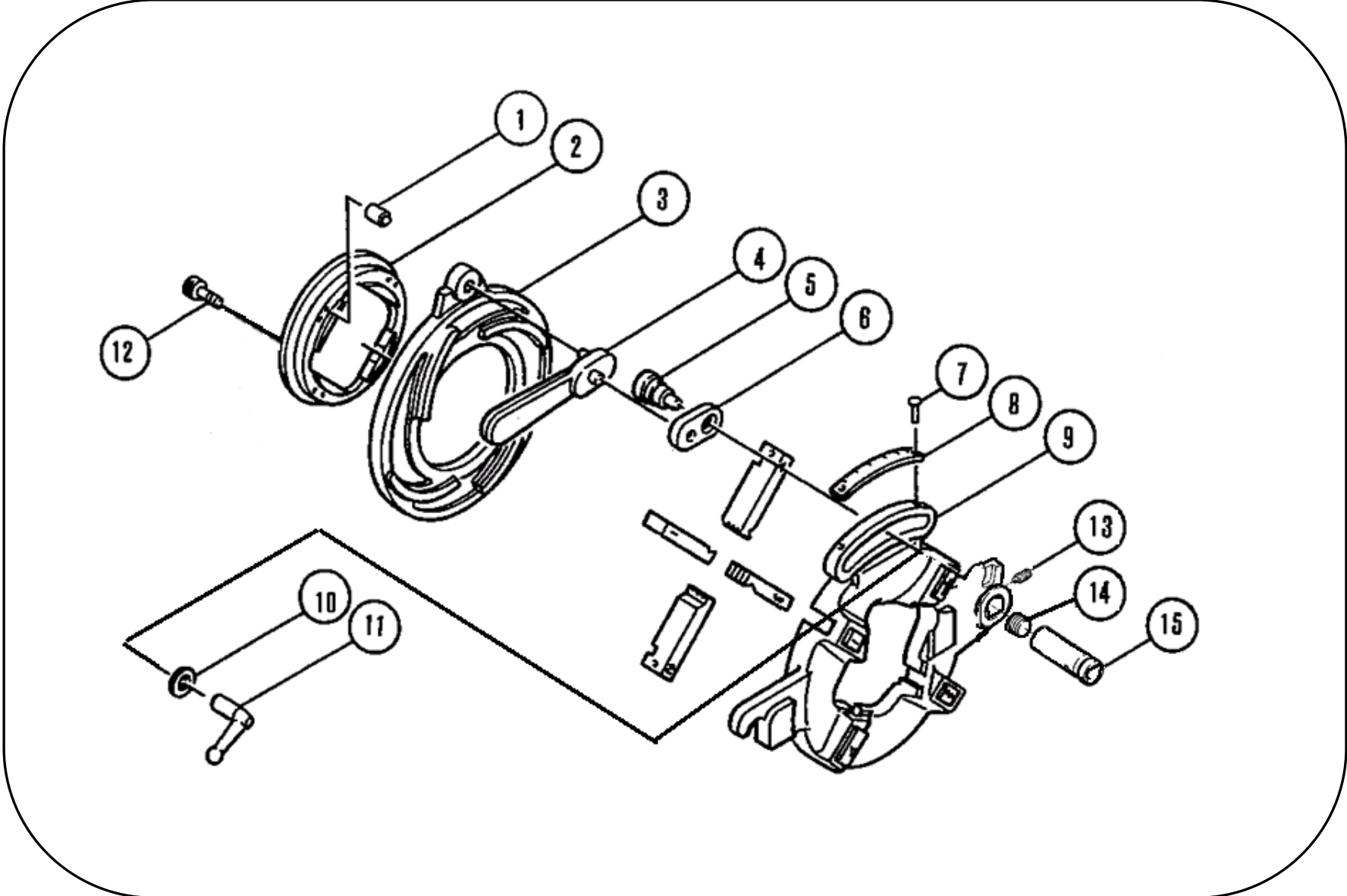


Die-Head

BE25 MANUAL DIE-HEAD BSPT 1/4-3/8" (AS109)



No.	Parts Name	Qty	Code No	Remarks
1	BALL CAP 6mm	4	88597	
2	RETAINING RING 1/4-3/8"	1	20133	
3	CAM PLATE 1/4-3/8"	1	20132	
4	OPEN-CLOSE LEVER	1	01128	
5	DIE PIN	1	01124	
6	LINK	1	01125	
7	PLATE TACK 4x6.4	2	83353	
8	SCALE PLATE 1/4-3/8"	1	01150	
9	DIE-HEAD BODY 1/4-3/8"	1	AS108	
10	DIE NUT WASHER	1	01127	
11	DIE-NUT	1	01126	
12	STOP BOLT 6x20	4	80166	
13	HEX SCREW M6x6	1	80358	
14	HEX PLUG 1/8x8	1	84251	
15	BE25 Die Head Pin	1	BE386	

No.	Parts Name	Qty	Code No	Remarks