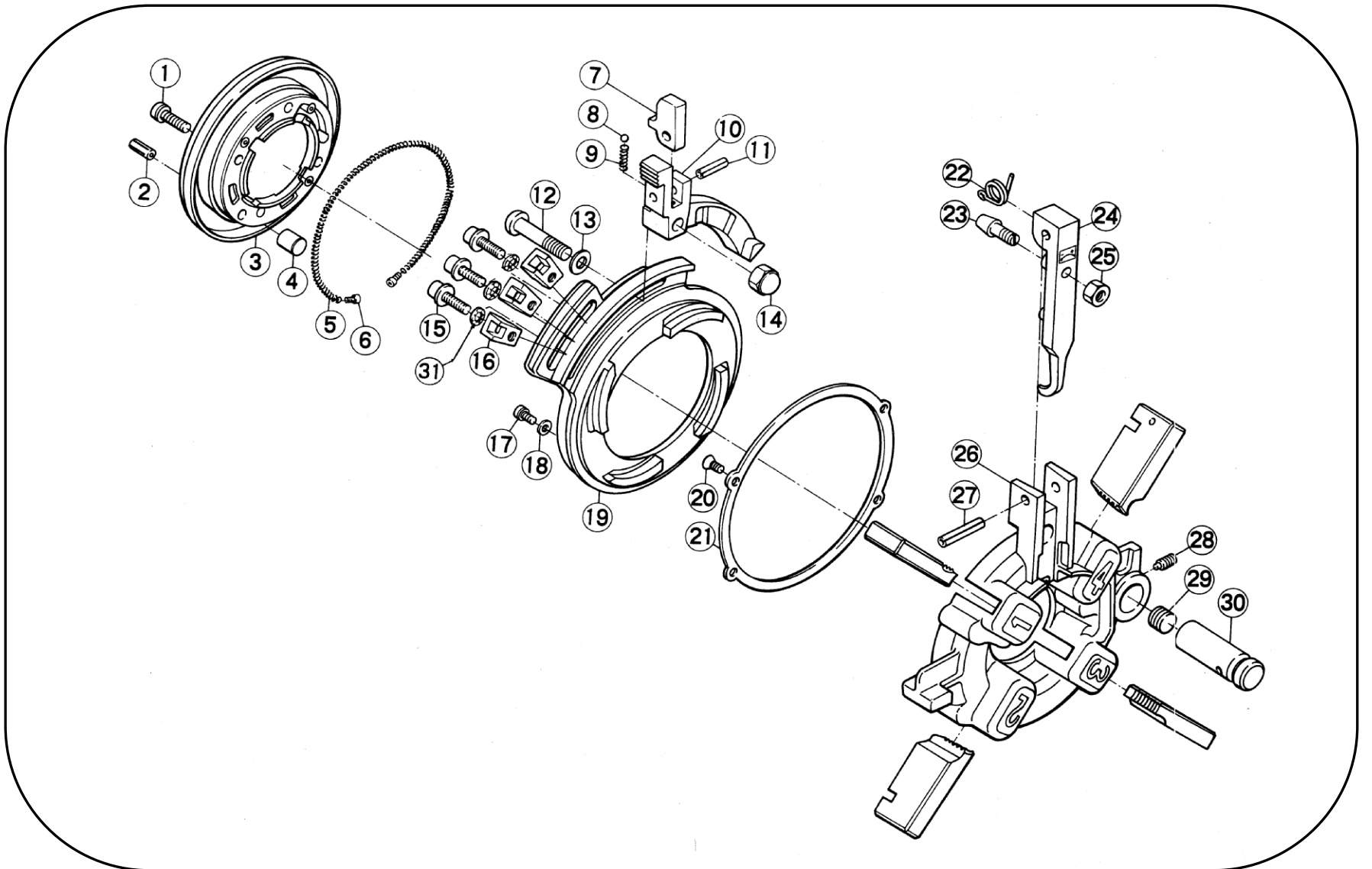


# Die-Head

BEAVER DIE-HEAD BSPT 1/2-1" (BE380), NPT 1/2-1" (BE389)



No.	Parts Name	Qty	Code No	Remarks
1	Hex Socket Bolt M6X18L	4	80165	
1'	Spring Washer CM6	4	81251	
2	Ball Cap 7.5mm	4	88598	
3	BE25 Retaining Ring 1/2-1	1	BE383	
4	Parallel Pin 10x8Lm6	1	83461	
5	AS1 Opening Spring	1	AS012	
6	Hex Socket Bolt M4x10L	2	80152	
7	BE Location Plate	1	BE019	
8	Steel Ball 3/16	1	88571	
9	AT Location Spring	1	52111	
10	BE25 Set Block 1/2-1	1	BE387	
11	Spring Pin 6x18L	1	83035	
12	Hex Socket Button Bolt M8x35L	1	82305	
13	Small Plain Washer M8	1	81232	
14	Hex Cap Nut M8	1	81078	
15	Hex Socket Bolt With Flange M6x14L	3	82977	
16	AS1 Location Block 1/2	1	AS009	
16	AS1 Location Block 3/4	1	AS010	
16	AS1 Location Block 1	1	AS011	

No.	Parts Name	Qty	Code No	Remarks
17	Hex Socket Bolt M4x6L	1	80211	
18	Spring Washer M4	1	81111	
19	BE25 Cam Plate 1/2-1	1	BE382	
20	Flat Head Screw M4x10L	4	82266	
21	AS1 Ring Plate	1	AS041	
22	AS1 Lever Spring	1	AS005	
23	BE25 Set Pin 1/2-1	1	BE385	
24	BE25 Locking Lever 1/2-1	1	BE384	
25	Small Hex Nut M10 (3)	1	81021	
26	BE25 Die Head Body 1/2-1	1	BE381	
27	Spring Pin 8x30L	1	83050	
28	Hex Socket Set Bolt M6xx6L	1	80358	
29	Hex Socket Taper Plug 1/8	1	84251	
30	BE25 Die Head Pin	1	BE386	
31	Plain Washer M6	3	81225	

\*All parts for BSPT (BE380) & NPT (BE389) are same.  
Only marks for location blocks on the cam plate are different.