

Refrigerant recovery machine

ECOsaver V230SP

High Speed
Professional Recovery Machine

NEW



HIGH POWER VAPOR RECOVER

230g/minute

APPLICABLE

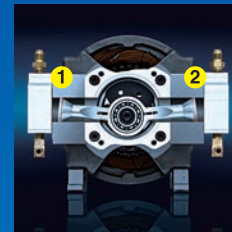
R32

SPECIFICATIONS

Description	ECOsaver V230SP
Code No.	ES330
Applicable refrigerant	R12, R22, R32, R500, R502, R114, R124, R134a, R403B, R404A, R407C, R407D, R410A, R412A, R413A, R417A, R422A, R422D, R423A, R507A, R509A
Recovery method	Compressed vapor recovery method / Push-Pull method
Recovery rate	240g/min (R410A, R32 vapor recovery) 230g/min (R22 vapor recovery)
Voltage	220-230V (50/60Hz)
Compressor	750W Oil-less twin cylinder
Dimensions	(L)440 x (W)265 x (H)360mm
Weight	16.3kg
Noise value	65dB(50Hz)/67dB(60Hz) *Our own no load test value
Operating temperature	0~40°C
Automatic cut-out pressure	-0.035MPa (with ON-OFF function)
Ultimate vacuum	Max. -0.09MPa
Applicable cylinder	Float sensor type Recovery cylinder with float sensor Weighing type Used with Limit Scale : Recovery cylinder without float sensor
Standard accessories	1/4" charging hose 183cm x 1, 1/4" charging hose with ball valve 183cm x 1, Hose adapter 5/16" female x 1/4" male for R410A, Filter, Shoulder strap, Power cord

HIGH SPEED RECOVERY & HIGHLY EFFICIENT COOLING

Equipped with a 1HP Twin Compressor



No.1 Recovery Speed ※

The highest recovery speed in the same class was realized by the newly developed 1HP twin compressor.

※ Our own test value

Stable cooling by a geared fan with large air flow a clutch type fan



The air flow was increased by 1.8 times compared with the existing models.

The clutch type fan cools the condenser and the compressor efficiently.

[Clutch mechanism]



STABLE STARTING

Equipped with Two Capacitors



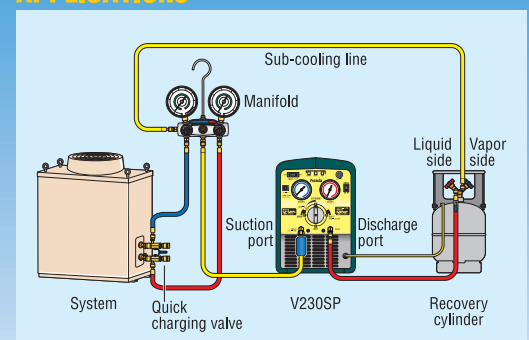
Ensures stable recovery work even at low voltage with two capacitors for starting and running.

IMPROVES EFFICIENCY OF RECOVERY WORK



Easy operation with single valve.

APPLICATIONS



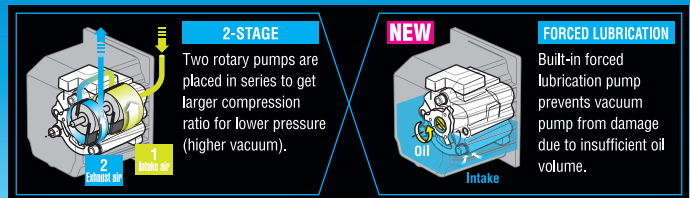
VACUUM PUMP ECO SERIES

For vacuuming room - package air conditioner & refrigeration equipment
Applicable to CFC, HCFC, HFC

Model	2CFM Eco	4CFM Eco	6CFM Eco
Code No.	WV221	WV241	WV261
Exhaust rate	51L/min(50Hz)	100L/min(50Hz)	142L/min(50Hz)
	57L/min(60Hz)	113L/min(60Hz)	170L/min(60Hz)
Ultimate vacuum	2.0Pa abs. (15 micron)		
Pump speed	1,440min ⁻¹ (50Hz) · 1,720min ⁻¹ (60Hz)		
Motor	220-240V 250W	220-240V 375W	220-240V 550W
Weight	9.4kg	11.2kg	16.5kg
Oil capacity	260ml	390ml	580ml
Intake	1/4, 5/16 male flare	1/4, 3/8 male flare	1/4, 3/8 male flare
Standard accessories	Vacuum pump oil	Vacuum pump oil Adaptor 1/4"x 5/16"	Vacuum pump oil Adaptor 1/4"x 5/16"

Exhaust rate and ultimate vacuum are according to our own survey.

High precise 2-stage pump
High vacuum, 15micron
4pole high torque motor
Long life with built-in forced lubrication



BALL VALVE TYPE MANIFOLD GAUGE

High efficiency with ball valve handle
With sight glass
With air purge port



AI114C

Model	Manifold AD kit	
Code no.	AI114C	AI110C
Applicable refrigerant	R32, R410A	R12, R22, R502
Gauge size	80mm	
Low pressure gauge	-0.1 - 3.5MPa	-0.1 - 1.5MPa
High pressure gauge	-0.1 - 5.0MPa	-0.1 - 3.5MPa
Port size	5/16"(UNF 1/2-20TPI) Proof: 5.5MPa/Burst: 27.5MPa	1/4"(UNF7/16-20TPI) Proof: 3.4MPa/Burst: 17.2MPa
Standard accessories	5/16"Charging hose 92cm x 3pcs case	1/4"Charging hose 92cm x 3pcs case

ALUMINUM FORGED TYPE MANIFOLD GAUGE

High strength & durability
High airtight handle
With sight glass
With air purge port



AI105C

Model	Manifold AF kit	
Code no.	AI105C	AI101C
Applicable refrigerant	R32, R410A	R12, R22, R502
Gauge size	80mm	
Low pressure gauge	-0.1 - 3.5MPa	-0.1 - 1.5MPa
High pressure gauge	-0.1 - 5.0MPa	-0.1 - 3.5MPa
Port size	5/16"(UNF 1/2-20TPI) Proof: 5.5MPa/Burst: 27.5MPa	1/4"(UNF7/16-20TPI) Proof: 3.4MPa/Burst: 17.2MPa
Standard accessories	5/16"Charging hose 92cm x 3pcs case	1/4"Charging hose 92cm x 3pcs case

CHARGING SCALE CSI-100

Multi-functional charging scale
Compact design



NEW

Load capacity	100kg
Measurement accuracy	0.5% of reading
Measurement of unit	2g, 5g, 10g
Working temperature	0 - 60°C
Battery	AAA battery
Battery life	30 hours (continuity)
Weight	2.5kg
Standard accessories	AAA battery, Case

TORQUE WRENCH SET

Essential for correct flare connecting
Torque accuracy ±4%



Code no.	XP710	XP711	XP712	XP713
Size	1/4"	1/4"	3/8"	3/8"
Caliber	17mm	17mm	22mm	22mm
Tightening torque	16N·m	18N·m(*)	30N·m	42N·m(*)
Length	220mm	220mm	260mm	230mm
Code no.	XP746	XP747	XP776	
Size	1/2"	1/2"	5/8"	
Caliber	24mm	26mm	29mm	
Tightening torque	55N·m	55N·m(*)	75N·m	
Length	260mm	285mm	290mm	

* R32, R410A

● Distributed by _____

Asada
ASADA CORPORATION

3-60, Kamiida, Nishi-Machi, Kita-Ku,
Nagoya, Japan 462-8551
TEL +81-52-914-1062 FAX +81-52-914-1065
URL <http://www.asada.co.jp> E-mail:trade @ asada.co.jp